

SHELL SCHEME STAND INFORMATION BROCHURE

NIS 2012

47TH CONFERENCE AND AGM 2011 OF THE
NIGERIAN INSTITUTION OF SURVEYOR'S
23 - 27 June . Cultural Centre . Calabar . Cross River State . Nigeria

STAND CONSTRUCTION

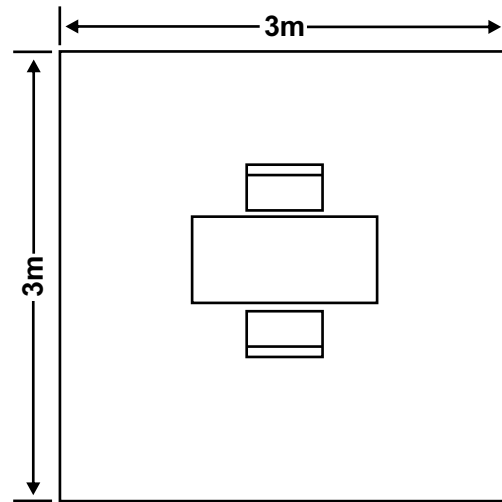
System material: silver/white wall elements
1m broad x 2.5m high, white
Fascia board (25 cm high), white

Dimensions

3 x 3 x 2.5m occupying 9sqm
Inside: 2.5m high
2.95m long
2.95m wide
Facial Board: 3.00 x 0.25m

FURNISHING

1 table
2 chairs
1 Rug-carpet fair rips red or blue (on request)



Floor Plan

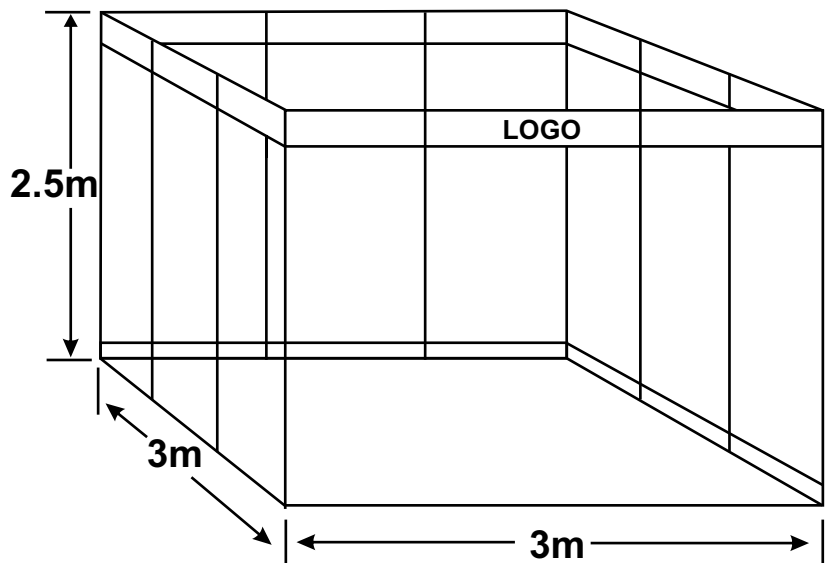
ELECTRICAL INSTALLATION

3 pcs spotlights
(120 W) per 12 sq m
3.3 kW main
terminal with 1 socket

LETTERING

Fascia board with 15 characters
Arial black

*Price for Company logo or additional text on
fascia board upon request.*



Isometrie

STAND CLEANING

Stand cleaning before opening
Stand cleaning on the 1st evening of the
show

**Additional furniture, services & electrical
installations can be ordered separately.
These include:**

1. Plasma TV
2. Refrigerator
3. Roll-up Banners
4. Projectors & Screens
5. Tables and Chairs
6. Other electronic appliances etc



Custom & Pop-up Exhibition Solution

Custom and Pop-up built exhibition stand provides a myriad of possibilities; a custom stand provides an opportunity to incorporate your brand into the exhibition design using more than just graphics. However, conceptualizing and creating a custom built exhibition stand can be a huge and laborious task unless you have the right partner that can not only design and build your stand, but also take care of all other logistical requirements leaving you enough time to concentrate on the most important thing - CLIENTS.

At Zinnx Oriental Ltd, we understand your unique needs and develop compelling exhibits that convey the right message to your clients.

